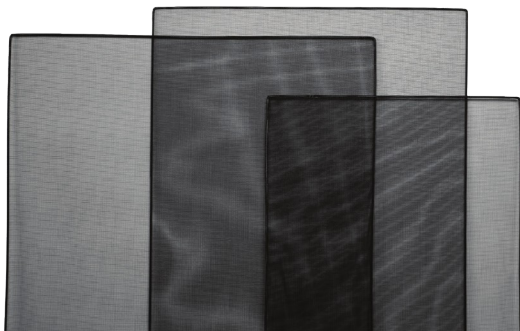


# FLEXIBLE INSECT SCREEN

## FLEXSCREEN® knall

FlexScreen is an innovation in the field of insect screens. This innovative product combines unique components that have not previously been available in this form. A specially engineered spring steel frame, combined with a high-quality insect mesh, creates a perfectly integrated solution. No tools are required to install FlexScreen. Thanks to its flexible frame, the product can be fitted using only your hands. The screen is inserted into the window frame by gently compressing it



Mesh available in anthracite or grey



Made to measure for a perfect fit for your window



Manufactured from high-quality spring steel coated with a durable PVC layer



Suitable for use behind any external roller shutter



Installation takes just a few seconds and requires no tools

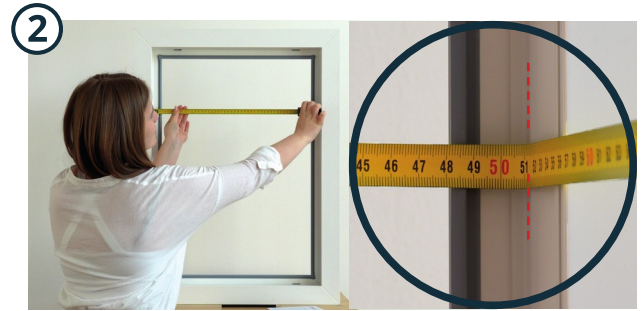
	Minimum Width / Height (mm)	Minimum Width / Height (mm)
FlexScreen 74/74	300/501	739/739
FlexScreen 115/115	300/740	1149/1149
FlexScreen 140/200	300/1150	1400/2100

# Correct measurement of window frames

Measure only the clearance size. This is the internal dimension of the window frame from one side to the other. Measurements should be taken according to the instructions below



1 First, measure the window from left to right. Place the tape measure on the left-hand inner side of the window frame.



2 Extend the tape to the right-hand inner side of the frame. Bend the tape to the edge of the frame and read the measurement.



3 Next, measure the window from top to bottom. Place the tape at the top inner side of the frame.



4 Extend the tape measure down to the bottom of the frame. Bend the tape to the edge and read the measurement.

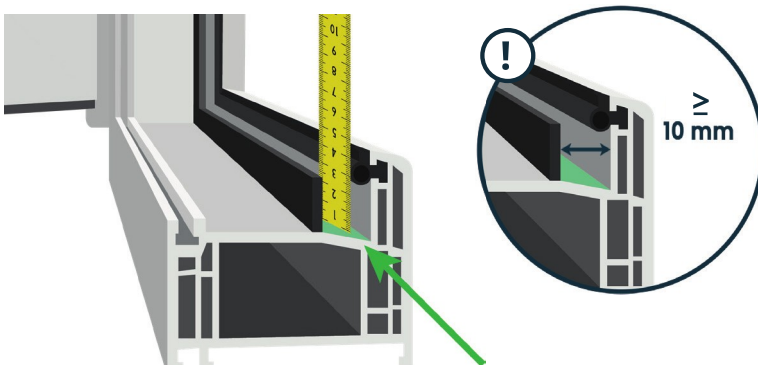
At the end of the measuring process, subtract the following from result values:  
4 mm from the width  
12 mm from the height



Width: \_\_\_\_\_ - 4 mm = \_\_\_\_\_  
Height: \_\_\_\_\_ - 12 mm = \_\_\_\_\_

## Measurement for windows with a central seal

Please measure only the rebate behind the central seal (green area). Ensure that the measurement is taken between the central seal and the window frame, as this is where FlexScreen will be installed



At the end of the measuring process, subtract the following from result values:  
12 mm from the width  
12 mm from the height

Width: \_\_\_\_\_ - 12 mm = \_\_\_\_\_  
Height: \_\_\_\_\_ - 12 mm = \_\_\_\_\_

# Assembly instructions

